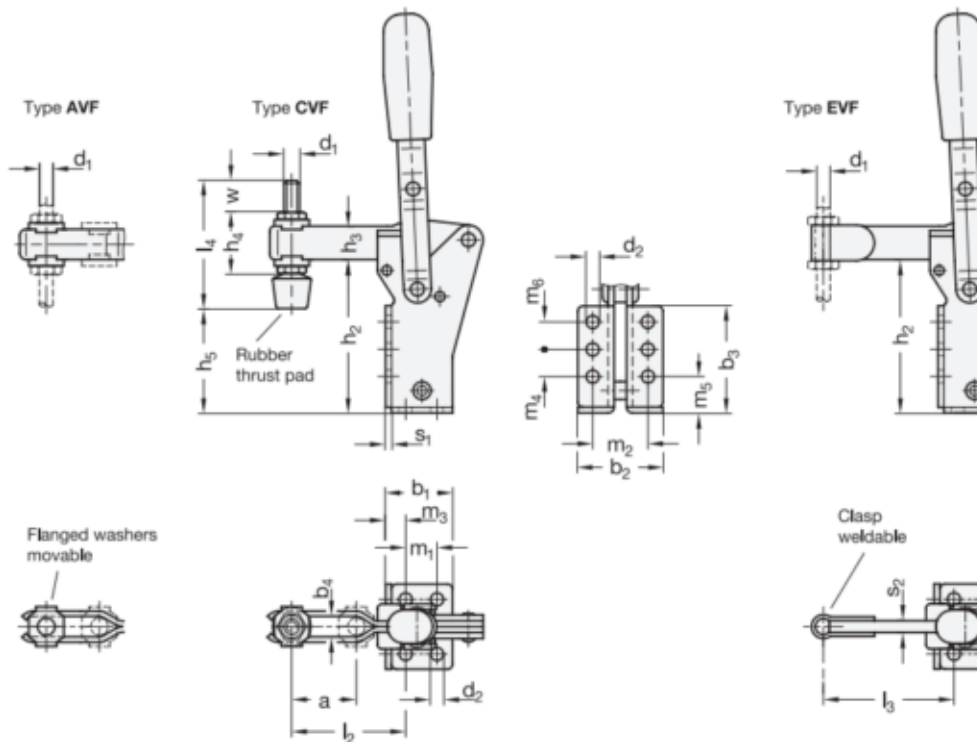


Article number: 20812175AVF
 Description: E+G vertical clamps
 GN 812.1-75-AVF

Measures



b1 = 24	h3 = 11	m3 = 7
b2 = 34	h4 = -	m4 = 12.5
b3 = 30	Holding force in N = 750	m5 = 10
b4 = 5.2	l1 = 67	r = 62.5
d1 = M 5	l2 = 37	S1 = 2
d2 = 4.5	l3 Max. = -	S2 = -
h1 = 120	m1 = 12.5	Weight in g = 130
h2 = 43	m2 = 24	